

2108i

Indicator and Alarm Unit



The 2108i provides accurate 4 digit measurement and display of temperature and other process variables in a standard 1/8 DIN format. Two alarm relay outputs are provided from up to three internal soft alarms. External digital keylock and alarm acknowledge inputs are standard.

The 2108i accepts outputs from all popular temperature, pressure, flow, and level measurement sensors.

Features

- Universal input - covers a wide range of temperature and process inputs
- Three alarm setpoints - separate warning and shutdown limits
- Two alarm relay outputs - for operator alert and plant protection
- Wide-range 85-264Vac, supply - can be installed worldwide
- Plug-in from front - rapid replacement, reducing downtime
- Front panel configuration - easy, onsite setup

Ideal for

- temperature indication
- 4-20mA process inputs
- over-temperature protection
- process value trip unit

Specifications

Dimensions:

96W x 48H x 103D mm

Display:

Red or green 4 digit 15.9 mm LED

Supply voltage:

85-264Vac

Operating ambient:

0-55°C, 5-95% RH non-condensing

Inputs:

Nine standard thermocouple types, Pt100, Linear mV/mA

Sample rate:

5Hz

Relay output ratings:

2A, 264Vac resistive

Panel sealing:

IP65, plug-in from front panel

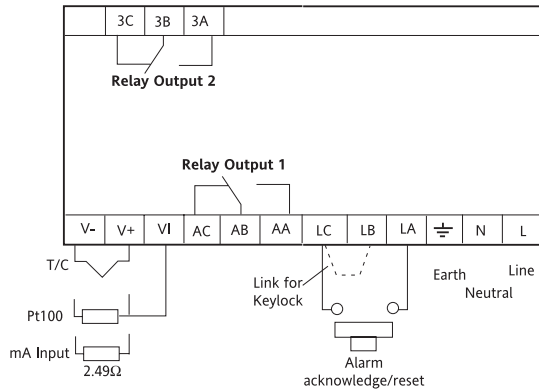
Data sheet:

HA026159

Rear terminal connections and ordering codes



Model 2108i



Model Number	Function	Display Color	Supply Voltage	Relay Output 1	Relay Output 2	Manual	Sensor Input	Setpoint Min	Setpoint Max	Units	Input Adaptor
2108i	AL		VH					note 1	note 1		

Function
AL Alarm unit

Display Color
GN Green display
RD Red display

Supply Voltage
VH 85-264Vac

Relay Output 1
RF Unconfigured Non-latched alarm
FH High alarm 1
FL Low alarm 1
RA Rate of change alarm 1
Latched alarm
HA High alarm 1
LA Low alarm 1
AA High alarm 1 & low alarm 3
RT Rate of change alarm 1
NW New alarm status

Relay Output 2
RF Unconfigured Non-latched alarm
FH High alarm 2
FL Low alarm 2
RA Rate of change alarm 2
Latched alarm
HA High alarm 2
LA Low alarm 2
RT Rate of change alarm 2
NW New alarm status

Manual
XXX No manual
ENG English
FRA French
GER German
NED Dutch
SPA Spanish
SWE Swedish
ITA Italian

Sensor Input		Setpoint Min	Setpoint Max
Standard Sensor Inputs			
J	J Thermocouple	Min °C	Max
K	K Thermocouple	-210	1200
T	T Thermocouple	-200	400
L	L Thermocouple	-200	900
N	N Thermocouple-Nicrosil/Nisil	-200	1300
R	R Thermocouple-Pt/Pt13%Rh	-50	1700
S	S Thermocouple-Pt /Pt10%Rh	-50	1768
B	B Thermocouple-Pt/Pt30%Rh -6%Rh	0	1820
P	Platinel II Thermocouple	0	1369
Z	RTD/PT100 DIN 43760	-200	850
Factory Downloaded Input			
C	C Thermocouple - W5%Re/W26%Re (Hoskins)	0	2319
D	D Thermocouple - W3%Re/W25%Re	0	2399
E	E Thermocouple	-250	1000
1	Ni/Ni18%Mo Thermocouple	0	1399
2	Pt20%Rh/Pt40%Rh Thermocouple	0	1870
3	W/W26%Re (Engelhard) Thermocouple	0	2000
4	W/W26%Re (Hoskins) Thermocouple	0	2010
5	W5%Re/W26%Re (Engelhard) Thermocouple	10	2300
6	W5%Re/W26%Re (Bucose) Thermocouple	0	2000
7	Pt10%Rh/Pt40%Rh Thermocouple	200	1800
8	Exergen K80 I.R. pyrometer	-45	650
Process Inputs (Scaled to setpoint min and max)			
M	-9.99 to 80.00mV linear	Min °C	Max
Y	0 to 20mA linear (note 4)	-999	9999
A	4 to 20mA linear (note 4)	-999	9999
W	0 to 5Vdc linear	-999	9999
G	1 to 5Vdc linear	-999	9999
V	0 to 10Vdc linear	-999	9999

Units
C Celsius
F Fahrenheit
K Kelvin
X Linear input

Input Adaptor
XX Not fitted
V1 0-10Vdc
A1 0-20mA current sense resistor (2.49% 0.1%)

Note 1. Setpoint min and max: Include the decimal points required in the display value; up to one for temperature inputs, up to two for process inputs.

Note 2. A 1% 2.49Ω current sense resistor is supplied as standard. If greater accuracy is required a 0.1% resistor can be specified in the input adaptor field.

Example ordering code

2108i - AL - GN - VH - FH - FL - ENG - K - 0 - 1000 - C - XX

2108i, Indicator, green display, relay 1 high alarm, relay 2 low alarm, English manual, Type K thermocouple, 0 to 1000°C, no options