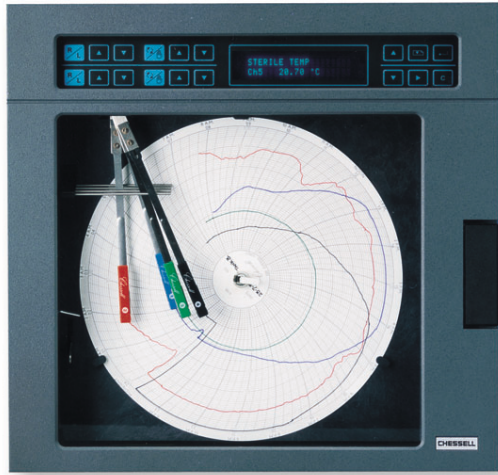


# 392

## Circular Chart Recorder



The 392 is a continuous writing circular chart recorder. Circular chart recorders provide easy viewing of data which is ideal for a variety of applications. Using the integral keyboard and display, the 392 recorder can be easily set-up to the exact requirements of your application.

### Features

- up to 4 continuous writing pens
- 40 character vacuum fluorescent digital display
- four alarms per channel
- EEPROM memory for security
- on-site configuration using front key panel
- powerful maths capabilities
- four totalizers with nine digit readout
- two single or dual output controllers

### Specifications

#### Chart type:

Circular

#### Input types:

Thermocouple: B, C, E, J, K, L, N, R,S, T, Ni/NiMo, RTD (2/3 -wire) PT100, 10Cu, 100Ni, 120Ni, dcmV, dc V, dcmA (with shunt)

#### Temperature limits:

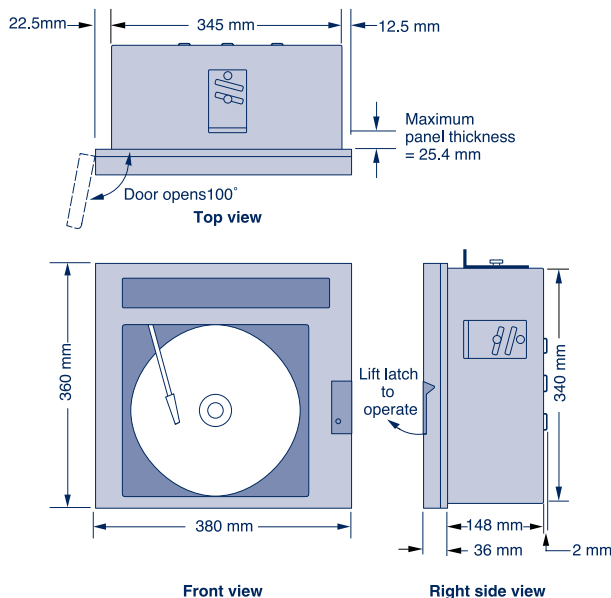
Operation 0-50°C

#### Humidity limits:

Operation 10 to 90% RH non-condensing

#### Literature:

HA027610 Paper Based Recorders



### Options

**Relays** – 8 changeover relays for alarm outputs.

**Controllers** – 2 PID control loops with single or dual, time-proportioning or current outputs.

**Setpoint generator** – program control for controllers. Four programs of twenty segments.

**NEMA 4X (IP65) case** – the NEMA 4X case option is fully submersible.

**Transmitter PS** – current loop supplies for up to 4 transmitters.

**Retransmission** – 4 linearized current or voltage outputs.

