

4101C and 4101M

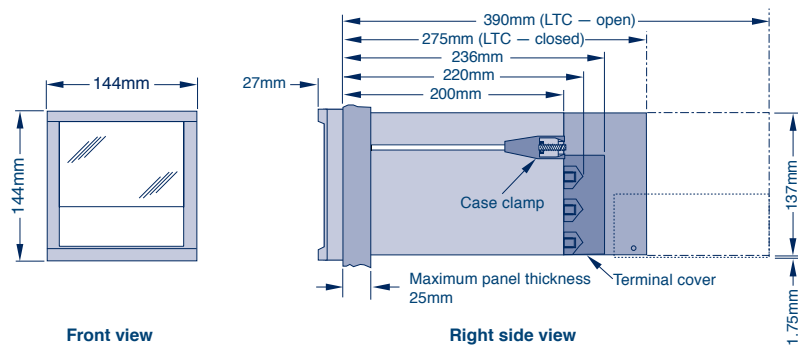
Basic 100mm Chart Recorder



The 4101 is a basic 100mm chart recorder available as a 1-4 continuous pen recorder, or as a 6 pen multipoint recorder.

A unique door design provides exceptional visibility to the traces and current values. The short case (236mm) allows the 4101 to fit into standard instrument panels.

The pre-configured inputs are ideal for fit and forget installations, but should the need arise, the instrument can be easily reconfigured using the Configuration Editor software.



Options

Relay outputs – two change-over relays are available for each channel

Annotation – provides printing of scales, time and date to the chart

Features

- up to 4 continuous writing pens
- 6 pen multipoint
- analog display with high pen visibility
- pre-configured universal isolated inputs
- 236mm total depth behind panel
- front access to pen zero/span adjust
- ready for immediate use

Specifications

Chart type:

16 meter z-fold/32 meter roll

Update rate:

4Hz (continuous)

1Hz (multipoint)

Input types:

Thermocouple: B, C, D, E, G2, J, K, L, N, R, S, T, U, Ni/NiMo, Platinel, 2/3 -wire resistance temperature (RTD), PT100, PT100A, PT1000, Ni100, NI1000, JPT100, dcV, dc mV, dcmA (with shunt)

Input to paper accuracy:

0.25%

Temperature limits:

Operation 0-50°C

Humidity limits:

Operation 5 to 80% RH non-condensing

Literature:

HA027610 Paper Based Recorders

HA027850 Specification Sheet.

