

4102C and 4102M 100mm Chart Recorder with Digital Display

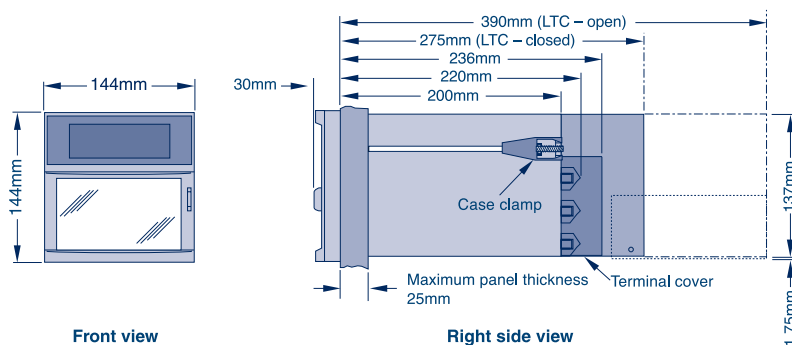


The 4102 is a 100mm chart recorder with a clear 3 color digital display in place of the analog scale.

It is available as a 1-4 continuous pen recorder, or a 6 pen multipoint recorder.

A vacuum fluorescent display with large characters provides excellent visibility of process variables. The short case (236mm) allows the 4102 to fit into standard instrument panels.

The pre-configured inputs are ideal for fit and forget installations, but should the need arise, the instrument can be easily reconfigured either through the display keyboard or using the Configuration Editor software.



Front view

Right side view

Features

- 1-4 pen continuous or 6 pen multipoint
- 3 color digital display
- universal isolated inputs
- 236mm total depth behind panel
- front access to pen zero/span adjust
- user configurable
- ready for immediate use

Specifications

Chart type:

16 meter z-fold/32 meter roll

Update rate:

4Hz (continuous)

1Hz (multipoint)

Input types:

Thermocouple:

B, C, D, E, G2, J, K, L, N, R, S, T, U,
Ni/NiMo, Platinel,

2/3 -wire resistance temperature
(RTD), PT100, PT100A, PT1000, Ni100,
NI1000, JPT100, dcV, dcmV, dcmA
(with shunt)

Input to paper accuracy:

0.25%

Temperature limits:

Operation 0-50 °C

Humidity limits

Operation 5 to 80% RH non-condensing

Literature:

HA027610 Paper Based Recorders

HA027850 Specification Sheet.

Options

Relay outputs – two changeover relays are available for each channel.

Annotation – provides printing of scales, time and date to the chart.

Chart Illumination – fluorescent tube lighting that enhances chart visibility.

Transmitter PSU – three or six current loop supplies.

Portable – a robust carrying case is available with plug and socket input connections.

