

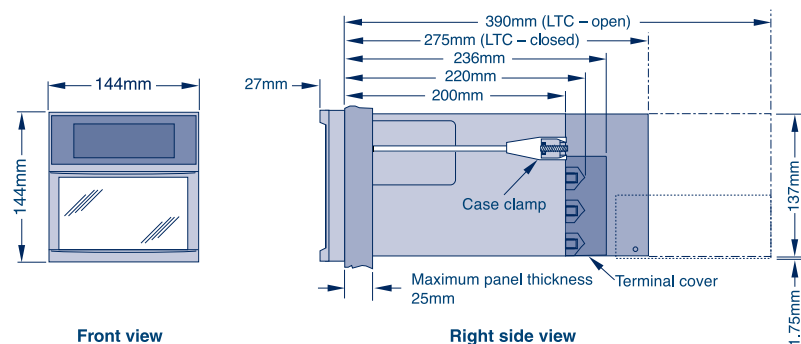
4103C and 4103M High Specification 100mm Chart Recorder with Digital Display



The 4103 is a 100mm chart recorder that acts as a complete data acquisition center. It has local printing, communications and memory storage, and can be fully configured from the front panel.

The 4103 is available as a 1-4 pen continuous recorder, or 6 pen multipoint recorder. The short case design (236mm) allows the 4103 to fit into standard instrument panels.

Annotation provides printing of scales, time and date to the chart.



Options

Chart Illumination – fluorescent tube lighting enhances chart visibility.

Relays – 12 changeover or 16 normally open or normally closed relays.

Retransmission – four linearized current or voltage outputs.

Memory card – storage of data and configurations on industry standard PC memory cards enables data to be transferred to commercial spread sheet packages.

Communications – Modbus RTU and Profibus DP slave communications up to 19200 baud

Pen offset compensation – on a continuous recorder all pens operate to the same time on the chart.

Maths pack – simple maths supplied as standard. Advanced maths provides more complex functions as well as timers, totalizers and counters.

Portable – a robust portable carrying case is available with plug and socket input connections plus AC monitoring facilities.

Features

- 1-4 pen continuous, or 6 pen multipoint
- 4 color digital display
- front panel, or PC config
- universal isolated inputs
- chart illumination
- basic maths
- PC memory card
- Modbus® and Profibus® communications
- up to 16 relay outputs
- 16 event inputs
- annotation

Specifications

Chart type:

16 meter z-fold/32 meter roll

Update rate:

8Hz (continuous), 2Hz (multipoint)

Input types:

Thermocouple: B, C, D, E, G2, J, K, L, N, R, S, T, U, Ni/NiMo, Platinel.

2/3 -wire resistance temperature (RTD) PT100, PT100A, PT1000, Ni100, NI1000,

JPT100, Cu10, Ohms, Digital inputs dcmV, dcV, dcmA (with shunt)

Input to paper accuracy:

0.25%

Temperature limits:

Operation 0-50°C

Humidity limits:

Operation 5 to 80% RH non-condensing

Literature:

HA027610 Paper Based Recorders

HA027851 Specification Sheet.

