

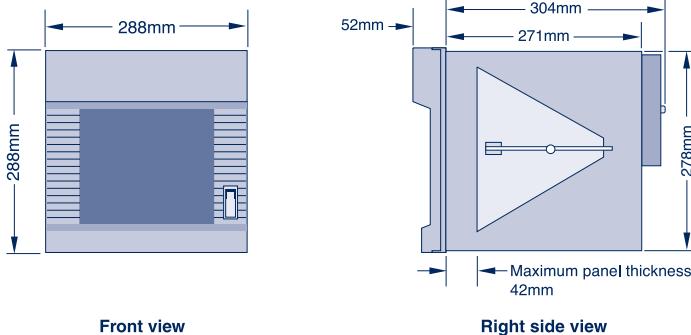
4181G High Specification 180mm Graphic/Paper Recorder



The model 4181G is a high specification intermediate size recorder providing all the functions of the most sophisticated instrument within a 180mm format. A range of powerful options allow maths calculations, serial communications, data archiving, etc. These features combine to provide operators and supervisors the widest range of management information available.

Features

- high quality TFT full VGA touch screen display
- up to 48 inputs
- optional integral printer for up to 24 traces
- text annotation as standard
- data archiving up to 256Mb to PC card
- Modbus® communications
- simple maths included
- optional powerful maths capabilities
- over 500 points available using remote I/O racks



Options

- Relays** – changeover for alarm outputs.
- Serial communications** – RS232/485, Modbus for connection to SCADA systems.
- PC memory card** – for archiving and historical analysis.
- Maths pack** – for simple or complex calculations.
- Totalizers, Timers and Counters** – for common process requirements.
- Input cards** – 8 Channel universal or 16 channel dc.
- Portable** – a robust carrying handle is available.

Specifications

Protection:

IP54 (Display and Bezel)

Archiving:

Up to 256Mb PC memory card for storage of data or configuration

Input types:

Dc mV, dc V, dc mA

Thermocouple: B, C, E, J, K, L, N, R, S, T, U, Ni/NiMo, Platinel II, RTD (2/3 - wire) PT100, PT1000, Ni100, Ni120, Cu10

Max power consumption:

130W

Temperature limits:

Operation 0-40°C

Humidity limits:

Operation 5 to 80% RH non condensing

Literature:

HA027956 4181G Specification Sheet



Ordering codes

4181G	1	2	3	4	5	6	7	8	9	10	11	12	13	14	15	16
	0												0	0		

1 Fixed Digit

2 No. of 8 Channel Universal Input Boards

- 0 None
 - 1 1 Board (8 channels)
 - 2 2 Board (16 channels)
 - 3 3 Board (24 channels)
- Maximum of 3 cards can be fitted to this instrument

3 No. of 16 Channel DC Input Boards

- 0 None
- 1 1 Board (16 channels)
- 2 2 Board (32 channels)
- 3 3 Board (48 channels)

4 Qty of 250 ohm Shunts

- 00 Qty of 250 ohm shunts

5 Qty of 100 ohm Shunts

- 00 Qty of 100 ohm shunts

6 Qty of 250:1 Attenuators

- 00 Qty of 250:1 attenuators
- The 250:1 attenuator provides better accuracy and replaces the 100:1 attenuator

7 Door Type

- 5 IP54 style

8 Supply Voltage

- 1 90-130Vac (50/60Hz)
- 2 190-260Vac (50/60Hz)

9 Chart Type

- 0 No writing system
- 1 22 meter z-fold

10 No. of Relay Output Boards

- 0 No relay cards
- 1 1 Board (8 relays)
- 2 2 Boards (16 relays)
- 3 3 Boards (24 relays)

11 Mounting

- 0 Panel mounting
- 1 Bench/portable

12 Communications Graphics

- 0 None
- 1 Modbus + (XIODCL) comms

15 No. 8 Channel Analog Output Boards

- 0 None
- 1 1 Board (8 channels)
- 2 2 Boards (16 channels)

16 No. 4 Channel Analog Output Boards

- 0 None
- 1 1 Board (4 channels)
- 2 2 Boards (8 channels)
- 3 3 Boards (12 channels)

17	18	19	20	21	22	23	24	25	26	27	28	29	30	31	32	33	34	35	36	37
1				0			0		0							0				

18 Memory Card

- 0 No memory card supplied
- H 16 Mb flash ATA card
- J 32 Mb flash ATA card
- K 64 Mb flash ATA card
- L 256 Mb flash ATA card

19 Memory Card Software

- 0 Configuration save/restore
- 1 ASCII data logging
- 3 Packed data logging

20 Maths Pack Option

- 1 Level 1 (basic functions)
 - 3 Continuous emissions monitoring
- Continuous emission monitoring includes advanced maths pack with 12 totalizers, timers and counters

23 Remote CJC

- 0 Not fitted
- 1 Remote CJC socketed (note1)
- 2 HTM2010 (note1)
- 3 Remote CJC No sockets

25 PC Configuration Software

- 0 Not required
- 1 Software supplied

27 Factory Configuration

- 0 Not required
- 1 Basic
- 2 Advanced (note 3)

28 Case & Door Color

- 0 Eurotherm green
- 1 Grey
- 2 Black

29 Additional Trend Memory

- 0 Default no additional memory
- A Additional 10Mb memory

30 Manual Language

- 0 English
- 1 French
- 2 German

31 Customer Logo (Door Label)

- 00 Eurotherm USA
- 01 Eurotherm
- 02 Eurotherm France
- 10 Eurotherm Germany

32 Number of Chart Divisions

- 000 Chart not required
- 074 75
- 080 80
- 100 100
- 120 120

34 Additional Information

- 0 None
- 1 Additional information
- 2 CUL
- 3 Customer inspection
- 5 Add info & cust insp

35 Calibration Certificates

- 0 Not required
- A Cal cert 8 channels
- B Cal cert 16 channels
- C Cal cert 24 channels
- D Cal cert 32 channels
- E Cal cert 40 channels
- F Cal cert 48 channels

36 Legends

- Engraved/stencilled
- 0 None
- 1 Stencilled legend
- 2 Standard tag
- 3 Stainless steel tag
- 4 Legend & std tag
- 5 Legend & s/steel tag

37 Options

- 000 None
- 001 Opt 001 high volt test
- 003 Short cover opt 003
- TRP Conformal coating

38	39	40	41	42	43	44
0				0	0	

39 CJC Loom Qty Type T

- 00 No. of type T T/Cs (note 1)

41 CJC Loom Qty Type K

- 00 No. of type K T/Cs (note 1)

43 CJC Loom Qty Type N

- 00 No. of type N T/Cs (note 1)

40 CJC Loom Qty mV

- 00 No. of mV looms (note 1)

42 Spare for Future Use

- 00

44 CJC Loom Qty Type J

- 00 No. of type J T/Cs (note 1)

NOTES:

- A total of 23 sockets can be fitted to the remote cold junction option. Any combination of mV and/or thermocouple types can be specified using fields 39-44.
- Requires a 4 channel Analog O/P Board (field 16).
- Request for advanced configuration should be submitted to either our Applications Engineer or our Field Service Department, and will be charged at Daily Rates.

Example ordering code

4181G - 0 - 1 - 0 - 00 - 00 - 00 - 00 - 5 - 2 - 1 - 0 - 0 - 0 - 0 - 0 - 0 - 0 - 1 - 0 - 0 - 0 - 0 - 0 - 0 - 0 - 0 - 0 - 01 - 100 - 0 - 0 - 0 - 0 - 000 - 0 - 00 - 00 - 00 - 00 - 00 - 00

4181G Default order code

Consummables
 can be ordered through our website
<http://store.chessell.com/>