

4181M

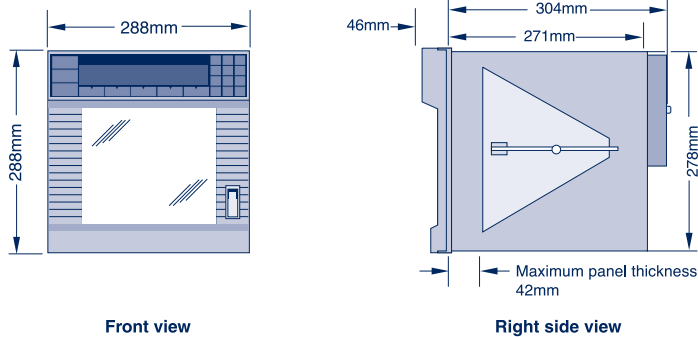
180mm Multipoint Chart Recorder



The model 4181M is a versatile and compact 180mm multipoint chart recorder, capable of accepting up to 48 inputs. The 4181M features an 80 character, vacuum fluorescent display and is easily configured for direct connection to a wide variety of signal types. Several powerful options are available, including maths pack, serial communications and data archiving to memory card.

Features

- up to 48 inputs
- 6 color, multipoint printing
- up to 24 concurrent traces
- 80 character, vacuum fluorescent display
- English, French or German language
- data storage to PC memory card
- high speed scanning (all inputs in 1 sec)
- simple maths included
- optional powerful maths capabilities



Front view

Right side view

Options

Relays – changeover.

Serial Communications – Modbus® RTU slave communications at up to 19200 baud.

Chart Illumination – fluorescent tube lighting that enhances chart visibility.

Memory Card – storage of data and configurations to industry standard PC memory card.

Maths Pack – simple maths supplied as standard. Advanced maths provides more complex functions as well as timers, totalizers and counters.

Portable – a carrying handle is available for portable use.

Specifications

Chart type:

22 meter z-fold

Protection:

IP54 (door and bezel)

Maximum trending rate:

24 channels in 3 seconds

Input types:

Thermocouple: B, C, E, J, K, L, N, R, S, T, U, Ni/NiMo, RTD (2/3 -wire) PT100, PT1000, Ni100, Ni120, Cu10, dcmV, dcV, dc mA (with shunt)

Max chart speed:

1500 mm/hr

Max power consumption:

70W

Temperature limits:

Operation 0-50°C

Humidity limits:

Operation 5 to 80% RH non-condensing

Literature:

HA027610 Paper Based Recorders

HA027956 Specification Sheet.

