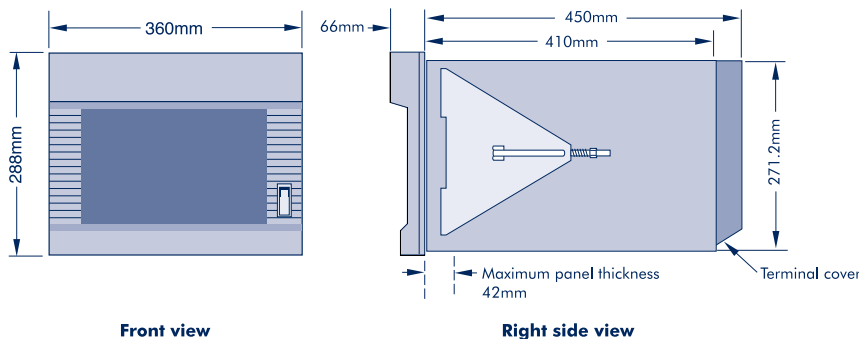


4250G High Specification 250mm Graphic/Paper Recorder



The model 4250G is a high specification recorder providing all the functions of the most sophisticated instruments available today. A wide range of available features include: powerful maths calculations, serial communications and data archiving. These features combine to give operators and supervisors the widest range of management information available.



Features

- high quality TFT full VGA touchscreen display
- up to 96 inputs
- optional integral printer for 45 traces
- text annotation as standard
- data archiving up to 256Mb to PC card
- Modbus® communications
- powerful maths capabilities
- all inputs read every second

Specifications

Protection:

IP54 or IP65 (Display and Bezel)

Archiving:

Up to 256Mb PC memory card

Input types:

Dc mV, dc V, dc mA

Thermocouple: B, C, E, J, K, L, N, R, S, T, U, Ni/NiMo, Platinel II, RTD (2/3 - wire) PT100, PT1000, Ni100, Ni120, Cu10

Max power consumption:

130W

Temperature limits:

Operation 0-40°C

Humidity limits:

Operation 5 to 80% RH non-condensing

Literature:

HA027957 Specification Sheet

Options

Relays – changeover for alarm outputs.

Serial communications – RS232/485, Modbus for connection to SCADA systems.

PC memory card – for archiving and historical analysis.

Maths pack – for simple or complex calculations.

Totalizers, Timers and Counters – for common process requirements.

Input cards – 8 Channel universal or 16 channel dc.

XIIDL comms – for integration with 4000 series acquisition and recorders.

