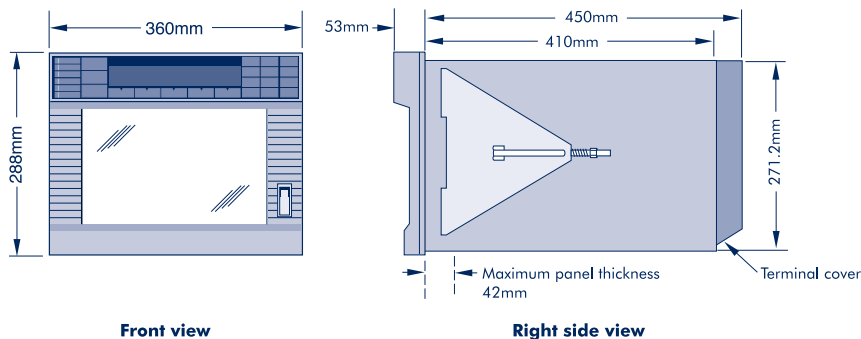


4250M

250mm Multipoint Chart Recorder



The model 4250M is a multi-channel, 250mm, high performance processing recorder with concurrent text annotation. The recorder features a color display and 'secret-'til-lit' keyboard to simplify configuration. The 4250M has the capacity to accept up to 96 input channels, which together with other options available, combine to form one of the most flexible standalone or networked recorders on the market.



Front view

Right side view

Features

- up to 96 inputs
- 'secret-'til-lit' full function keyboard
- six color, high speed multipoint printing
- 80 character, vacuum fluorescent display
- data storage to PC memory card (up to 6Mb)
- high speed scanning (all inputs in 1 sec)
- optional powerful maths pack

Specifications

Chart type:

22 meter z-fold

Protection:

IP54 (door and bezel)

Maximum trending rate:

24 channels in 3 seconds

Input types:

Thermocouple: B, C, E, J, K, L, N, R, S, T, U, Ni/NiMo, RTD (2/3 -wire) PT100, PT1000, Ni100, Ni120, Cu10, dcmV, dcV, dc mA (with shunt)

Max chart speed:

1500 mm/hr

Max power consumption:

70W

Temperature limits:

Operation 0-50°C

Humidity limits:

Operation 5 to 80% RH non-condensing

Literature:

HA027610 Paper Based Recorders

HA027957 Specification Sheet.

Options

Chart – 22m z-fold or 32m roll.

Relays – changeover.

Serial Communications – Modbus® RTU, El Bisynch slave communications up to 19200 baud.

Memory Card – storage of data and configurations to industry standard PC memory card.

Rolling Memory – provides a first in, first out rolling memory for data.

Totalizers, Timers and Counters – for common process requirements.

Portable – a carrying handle is available for portable use.



Ordering codes

4250M	1	2	3	4	5	6	7	8	9	10	11	12	13	14	15	16
	0												0	0		

1 Fixed Digit

2 No. of 8 Channel Universal Input Boards

- 0 None
- 1 1 Board (8 channels)
- 2 2 Boards (16 channels)
- 3 3 Boards (24 channels)
- 4 4 Boards (32 channels)
- 5 5 Boards (40 channels)
- 6 6 Boards (48 channels)
- 7 7 Boards (56 channels)

3 No. of 16 Channel DC I/P Brds

- 0 None
- 1 1 Board (16 channels)
- 2 2 Board (32 channels)
- 3 3 Board (48 channels)
- 4 4 Board (64 channels)
- 5 5 Board (80 channels)
- 6 6 Board (96 channels)

4 Qty of 250 ohm Shunts

- 00 Qty of 250 ohm shunts

5 Qty of 100 ohm Shunts

- 00 Qty of 100 ohm shunts

6 Qty of 250:1 Attenuators

- 00 Qty of 250:1 attenuators
The 250:1 attenuator provides better accuracy and replaces the 100:1 attenuator

7 Secret-Til-Lit Keyboard

- 0 STL not fitted
- 1 STL fitted

8 Supply Voltage

- 1 90-130Vac (50/60Hz)
- 2 190-260Vac (50/60Hz)

9 Chart Type

- 1 22 meter z-fold
- 2 32 meter roll

10 No. of Relay Output Boards

- 0 No relay cards
- 1 1 Board (8 relays)
- 2 2 Boards (16 relays)
- 3 3 Boards (24 relays)
- 4 4 Boards (32 relays)
- 5 5 Boards (40 relays)
- 6 6 Boards (48 relays)
- 7 7 Boards (56 relays)

11 Mounting

- 0 Panel mounting
- 1 Bench/portable

12 Communications

- 0 No communications
- 1 Modbus communications
- 2 Modbus + Network (XIODCL)
- 3 Network + Modbus (XIODCL)

15 No. 8 Channel Analog Output Boards

- 0 None
- 1 1 Board (8 channels)
- 2 2 Boards (16 channels)
- 3 3 Boards (24 channels)
- 4 4 Boards (32 channels)

16 No. 4 Channel Analog Output Boards

- 0 None
- 1 1 Board (4 channels)
- 2 2 Boards (8 channels)
- 3 3 Boards (12 channels)
- 4 4 Boards (16 channels)
- 5 5 Boards (20 channels)
- 6 6 Boards (24 channels)
- 7 7 Boards (28 channels)

17	18	19	20	21	22	23	24	25	26	27	28	29	30	31	32	33	34	35	36	37	
				1	0		0					3					0				

17 Memory Card Driver

- 0 Driver not fitted
- 1 Driver fitted

18 Memory Card

- Needs driver - item 17*
- 0 None
 - 1 256K memory card
 - 3 2M memory card

19 Memory Card Software

- Needs driver - item 17*
- 0 Configuration save/restore
 - 1 ASCII data logging
 - 3 Packed data logging

20 Maths Pack Option

- 1 Level 1 (basic functions)
- 2 Level 2 (advanced functions)
32 maths channels
- 3 Continuous emissions monitoring
96 maths channels, 12 totalizers, 12 counters and 12 timers
- 4 Quality monitoring
32 maths channels, 6 trace generators and 12 timers
Basic maths fitted as standard. Advanced maths pack includes 12 totalizers, timers and counters

21 Rolling Memory

- 1 Fitted

23 Remote CJC

- 0 Not fitted
- 1 Remote CJC socketed (note 1)
- 2 HTM2010 (notes 1 and 2)
- 3 Remote CJC No sockets

25 PC Configuration Software

- 0 Not required
- 1 Software supplied

26 Fixed Digit

27 Factory Configuration

- 0 Not required
- 1 Basic
- 2 Advanced (note 3)

28 Case & Door Color

- 0 Eurotherm green
- 1 Grey
- 2 Black

30 Manual Language

- 0 English
- 1 French
- 2 German

31 Customer Logo (Door Label)

- 00 Eurotherm USA
- 01 Eurotherm
- 02 Eurotherm France
- 10 Eurotherm Germany

32 Number of Chart Divisions

- 000 Chart not required
- 100 100
- 120 120
- 140 140
- 150 150

34 Additional Information

- 0 None
- 3 Customer inspection
- 5 Add info & cust insp
- N No manual

35 Calibration Certificates

- 0 Not required
- A Cal cert 8 channels
- B Cal cert 16 channels
- C Cal cert 24 channels
- D Cal cert 32 channels
- E Cal cert 40 channels
- F Cal cert 48 channels
- G Cal cert 56 channels
- H Cal cert 64 channels
- J Cal cert 72 channels
- K Cal cert 80 channels
- L Cal cert 88 channels
- M Cal cert 96 channels

36 Legends

- 0 None
- 1 Stencilled legend
- 2 Standard tag
- 3 Stainless steel tag
- 4 Legend & std tag
- 5 Legend & s/steel tag

37 Options

- 000 None
- TRP Conformal coating

38	39	40	41	42	43	44
0				0	0	

39 CJC Loom Qty Type T

- 00 Number of type T T/Cs (note 1)

41 CJC Loom Qty Type K

- 00 Number of type K T/Cs (note 1)

43 CJC Loom Qty Type N

- 00 Number of type N T/Cs (note 1)

40 CJC Loom Qty Type mV

- 00 Number of mV looms (note 1)

42 Spare for Future Use

- 00

44 CJC Loom Qty Type J

- 00 Number of type J T/Cs (note 1)

Example ordering code

4250M - 0 - 2 - 0 - 00 - 00 - 00 - 00 - 1 - 2 - 1 - 1 - 0 - 1 - 0 - 0 - 0 - 0 - 0 - 0 - 0 - 1 - 1 - 0 - 0 - 0 - 0 - 0 - 0 - 0 - 0 - 3 - 0 - 01 - 100 - 0 - 0 - 0 - 0 - 000 - 0 - 00 - 00 - 00 - 00 - 00

4250M Default order code

NOTE:

1. A total of 23 sockets can be fitted to the remote cold junction option. Any combination of mV and/or thermocouple types can be specified using fields 39-44.
2. Requires a 4 channel Analog O/P Board (field 16).
3. Request for advanced configuration should be submitted to either our Applications Engineer or Field Service Department, and will be charged at Daily Rates.