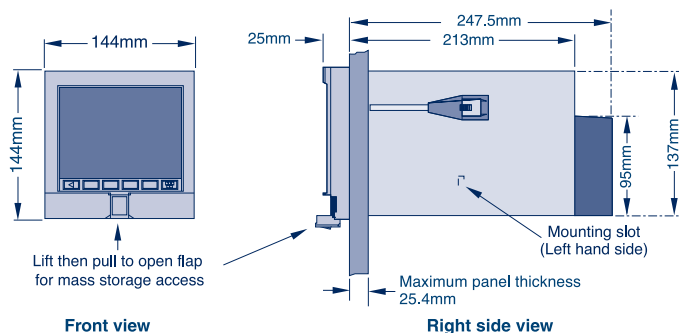


5100e 100mm Networked or Standalone Low Cost Graphic Data Management Unit



The 5100e is a standard six-channel data acquisition unit with freely configurable inputs and a touchscreen, STN color display. It comes as standard with a 3.5" floppy disk drive and Ethernet communications utilizing File Transfer Protocol (FTP). This unit is a powerful data acquisition and networking tool ideal for simple applications.



Options

Groups – allows inputs to be viewed and archived in a strategy that suits the process.

Bridge 5000 – available in two versions, **Lite** and **Full**. **Bridge Lite** provides the user with remote, live viewing of the data from a PC anywhere. **Full Bridge** gives total access the 5100e including viewing of data, operation and configuration.

Maths, Totalizers and Counters – up to 12 extra channels to further manage process data.

Timers – 6 timers to automatically sequence and trigger events.

Non-isolated Transmitter Power Supply – nominal 180mA supply for powering transmitters

Log Scales – scales and gridlines may be set to a Log Scale with scientific notation available

Features

- six freely configurable input channels
- STN color display
- touch screen interface
- high noise rejection and isolation
- 125ms parallel sampling
- Ethernet communications
- Modbus TCP
- client and server File Transfer Protocol as standard
- time sync. using Simple Network Time Protocol (SNTP)
- data archiving over Ethernet, or to 3.5" disk
- Review software as standard
- 3Mbyte internal Flash memory for storage of process data
- 12 configurable, event driven messages

Specifications

Archiving:

3.5" Floppy Disk or via Ethernet

Input Types:

dc V, dc mV, dc mA, contact
 Thermocouple: B, C, D, E, G2, J, K, L, N, R, S, T, U, Ni/NiMo, Platinel, RTD (2/3-wire), PT100, PT100A, PT1000, Ni100, Ni120, Ni1000, JPT100, Cu10, Cu53
 4 configurable user linearizations.

Max Power Consumption:

60VA

Temperature Limits:

5-40°C operational

Humidity Limits:

20%-80% RH non-condensing

Literature:

HA027125 5000 Series Brochure

HA027852 5000 Series Specification Sheet



Ordering codes

| | | | | | | | |
|-------|---|---|---|---|---|---|---|
| 5100e | 1 | 2 | 3 | 4 | 5 | 6 | 7 |
|-------|---|---|---|---|---|---|---|

| | | | | |
|--|-------------------------|---------------------------|---|-----------------------------|
| 1 Number of Channels | 3 Ethernet/Relay | 4 Mounting Options | 5 Case and Door Color | 6 Customer Label Set |
| 6 6 channels | ENET Ethernet/Relay | PANELMT Panel mounting | GRN Eurotherm green GRY Grey BLK Black RAL RAL7032 | USA Eurotherm USA |
| 2 Power Supply | | | | 7 Non Standard |
| VH 90-264Vac, 45-65Hz VL 20-42Vac RMS, 20-54Vdc | | | | XXXXXX Non standard option |

| | | | | | | | | | |
|---------|---|----|----|----|----|----|----|----|----|
| 8 | 9 | 10 | 11 | 12 | 13 | 14 | 15 | 16 | 17 |
| N O N E | | | | | | | | | |

| | | | | |
|--|---|--|---|--|
| 9 24V Non-isolated Trans Power Supply | 10 Qty of Shunts | 12 Qty of 100:1 Attenuators | 14 Maths, Totalizers & Counters | 16 Totalizers |
| NONE None 1NTP 1 Non-isolated TPS | 0 Qty of shunts (0-6) | 0 Qty of attenuators (0-6) | MTC00 None MTC12 12 Channel maths, totalizers & counters | 00 No of Totalizers Ch (0-12) (note 2) |
| | 11 Shunt Value | 13 Calibration Certificate | 15 Maths | 17 Counters |
| | NOS No shunts 100 100 ohm shunts 250 250 ohm shunts | NOCAL None 06CAL 6 Ch calibration certificate | 00 No of Maths Ch (0-12) (note 2) | 00 No of Counters Ch (0-12) (note 2) |

| | | | | | |
|----|----|----|----|----|----|
| 18 | 19 | 20 | 21 | 22 | 23 |
|----|----|----|----|----|----|

| | | | |
|------------------------------------|--|------------------------------|--|
| 18 Groups | 20 Bridge | 21 Log Scales | 23 Review |
| 1GROUP 1 Group 2GROUP 2 Groups | NONE None LITE Viewing bridge FULL Full operation/configuration bridge | NONE None LOGS Log scales | RLITE Review Lite (default) RFULL Review Full |
| 19 Timers | | 22 Fixed Field | |
| NOTIMER None 06TIMER Timers (6) | | NONE None | |

NOTES:

1. Non-isolated Transmitter PS is not available with VL option or selected Portable versions.
2. Total number of Maths, Totalizers and Counters must equal number of selected channels (Field 14).

Example ordering code

5100e - 6 - VH - ENET - PANELMT - GRN - UK1 - XXXXXX - NONE - NONE - 01 - 100 - 00 - NOCAL - MTC00 - 00 - 00 - 00 - 1GROUP - NOTIMER - LITE - NONE